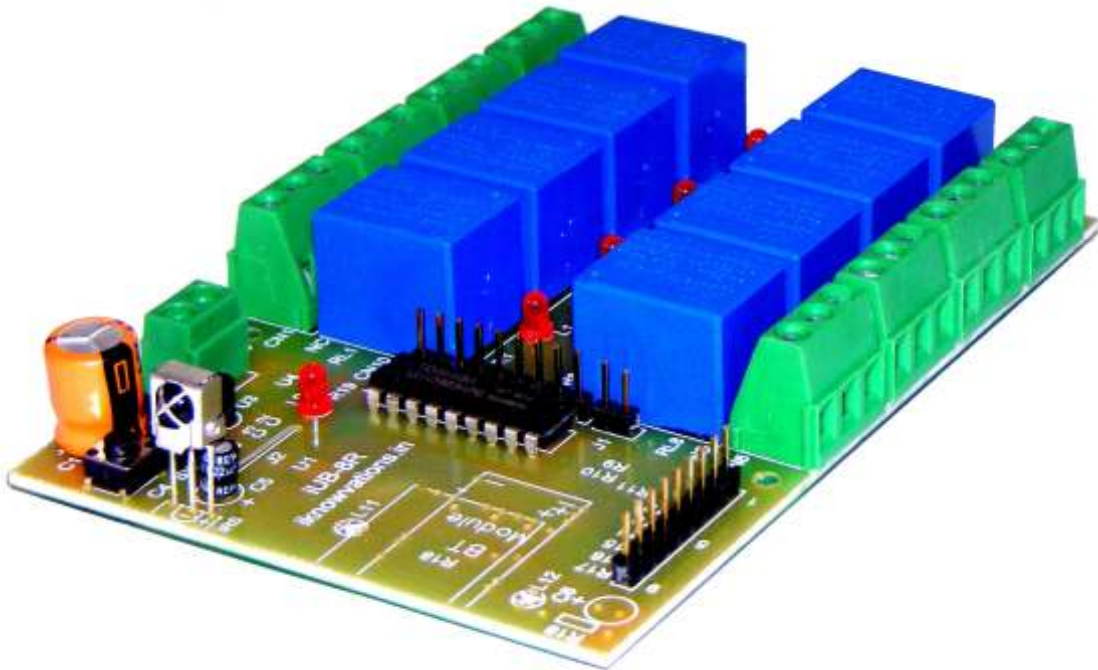


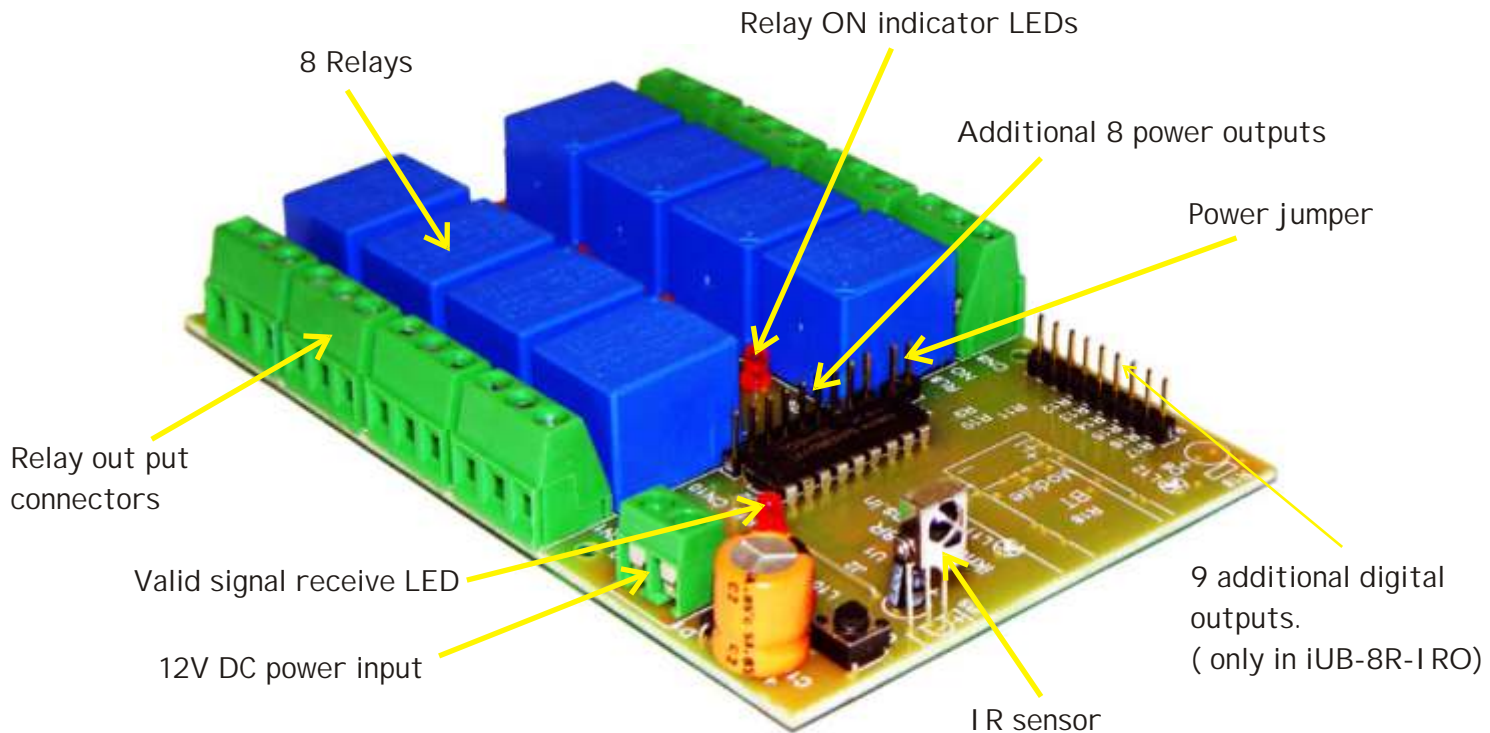
User Manual

- iUB-8R-IR
- iUB-8R-IRO

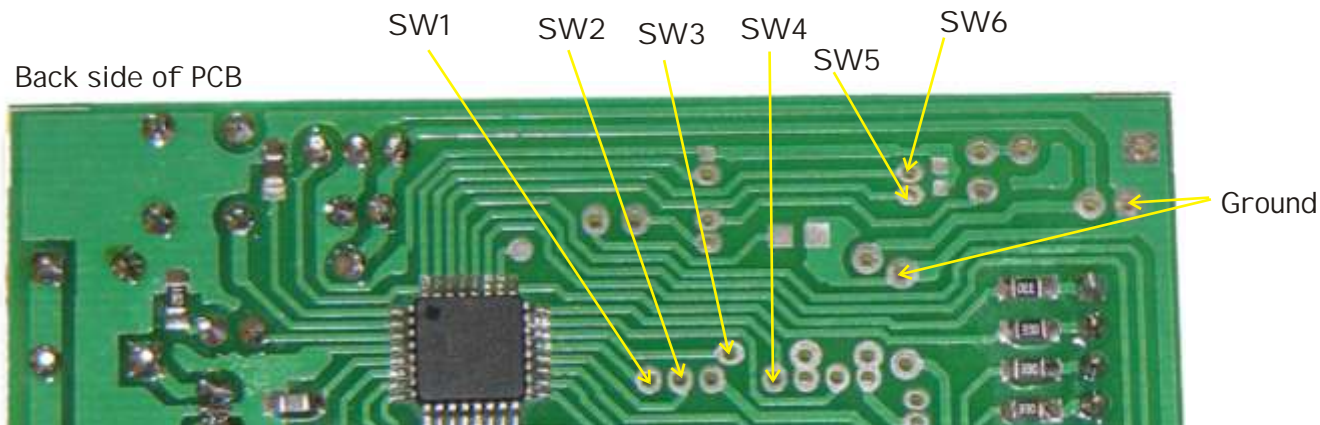


8 Ch IR Remote Control Relay Board- iUB-8R-IR

User manual



Switch positions for making Relays and Digital Outputs, Toggle or Momentary.



SW1	SW2	SW3	Relay position	
			Toggle	Momentary
Off	Off	Off	1 to 8	0
On	Off	Off	2 to 8	1
Off	On	Off	3 to 8	1 to 2
On	On	Off	4 to 8	1 to 3
Off	Off	On	5 to 8	1 to 4
On	Off	On	6 to 8	1 to 5
Off	On	On	7 to 8	1 to 6
On	On	On	8	1 to 7

SW4	SW5	SW6	Digital outputs position	
			Toggle	Momentary
Off	Off	Off	1 to 9	0
On	Off	Off	2 to 9	1
Off	On	Off	3 to 9	1 to 2
On	On	Off	4 to 9	1 to 3
Off	Off	On	5 to 9	1 to 4
On	Off	On	6 to 9	1 to 5
Off	On	On	7 to 9	1 to 6
On	On	On	8 to 9	1 to 7

Tables showing Relay and Digital Outputs positions as per switch status.
Switch off - keep it open. Switch on - Connect it to ground.

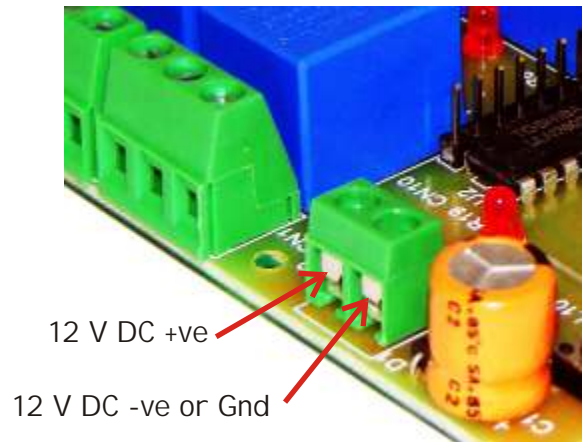
8 Ch I R Remote Control Relay Board- iUB-8R-I R

User manual

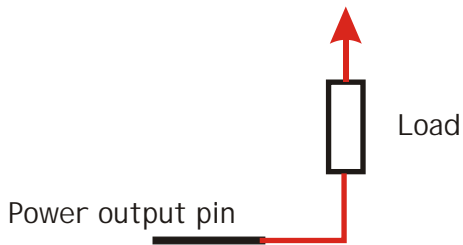
Power supply can be from 7 V to 12 Vdc.

If you are using Relays, you have to provide 12 V DC only.

If you are using other power outputs and not the relays, then you can use 7 to 12 V DC, depending upon your application.

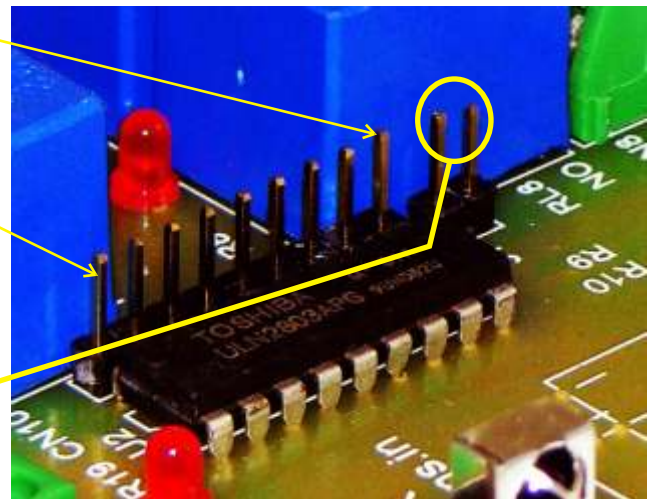


7 to 12 V DC +ve



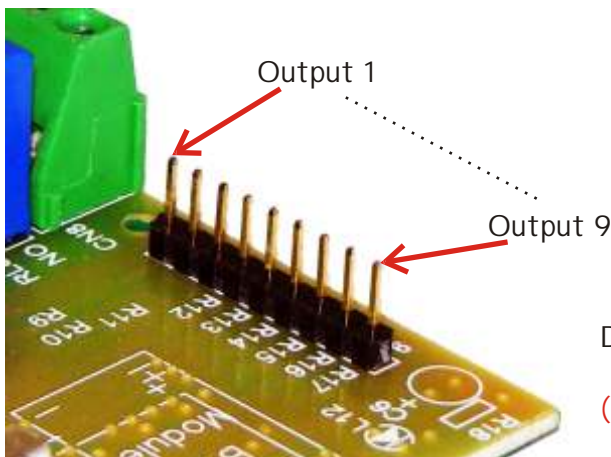
Power output -8

Power output -1



All power outputs are open collector type.

Remove solder bridge between these 2 pins if you want to use only power outputs. To use relays also, connection between these two pins is necessary.

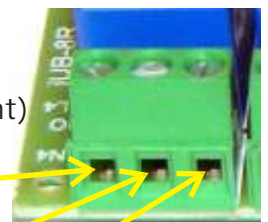


Relay connections (looking from front)

Normally Open

Common

Normally Closed



Digital outputs

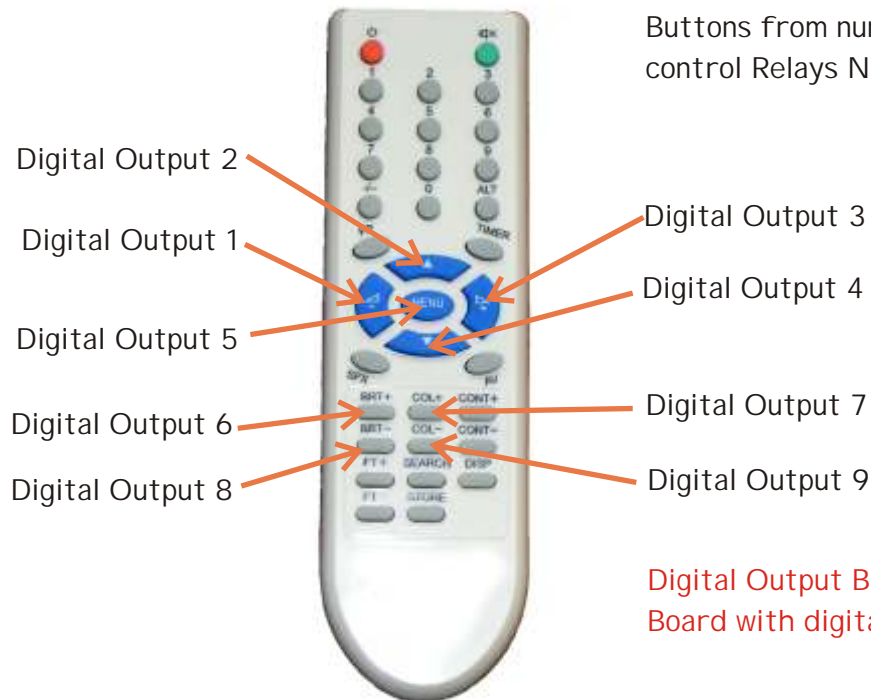
(Only applicable if board is iUB-8R-I RO)

8 Ch I R Remote Control Relay Board- iUB-8R-I R

User manual

Remote handset buttons detail -

(Not supplied with the board. Please order separately)



Buttons from number 1 to 8 will control Relays No. 1 to 8.

Digital Output Buttons only applicable to Board with digital outputs iUB-8R-I RO.

Power Supply -

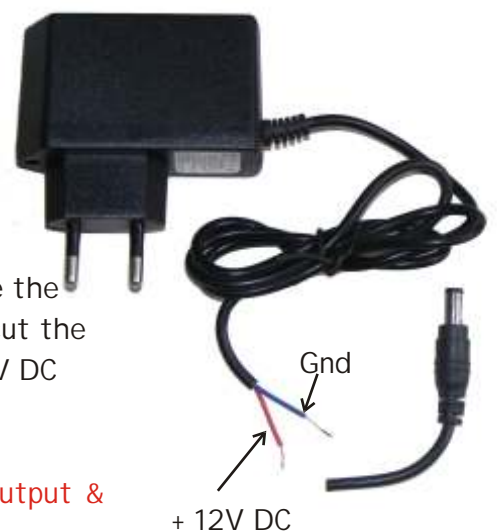


You can use power adapters of 12V DC having 1 Amp capacity as shown above.

If your board has DC barrel gun connector you can use the adapter as it is or if it contains 2 pin connector, just cut the wire at the end and you will have 2 wires providing 12 V DC output as shown.

Before connecting to the board, please check the output & correct polarity of the wires.

Please note that Power Supply Adapter is not supplied with board. If you want, you have to order it.





8 Ch I R Remote Control Relay Board- iUB-8R-I R

User manual

Specifications -

Transmitter - I R Transmitter handset is common for all the receiver kits.
Based on RC5 Philips coding.

Requires 2 AAA battery.

Receiver - Outputs - 4 relays for az4cr-03
- 6 relays for az6cr-03
- 8 relays for iUB-8R-I R
- 12 relays for az12cr-03

Input supply - 7 to 12 V DC at 500 mA to 1 Amp as per application.

Relay contact rating - 5 amp at 230 V AC.

Features -

- Based on latest microcontroller.
- Eight relay outputs for different kind of requirement.
- potentially free NO & NC contact outputs
- Momentary & Toggle mode selectable.
- Long range
- Easy to add remote control facility to many projects
- Visual LED indication for correct I R signal reception.
- Visual LED indication for each Relay.
- Small & Compact size - 115 mm * 75 mm.

Can be used for -

- Switching lights & fans on & off at homes, offices, shops, hotels by remote.
- Switching motors on & off.
- Converting machines & equipments to be operated by I R remote.
- Replacing switches with I R remote.

Want something different ? More outputs ? Special requirements ?

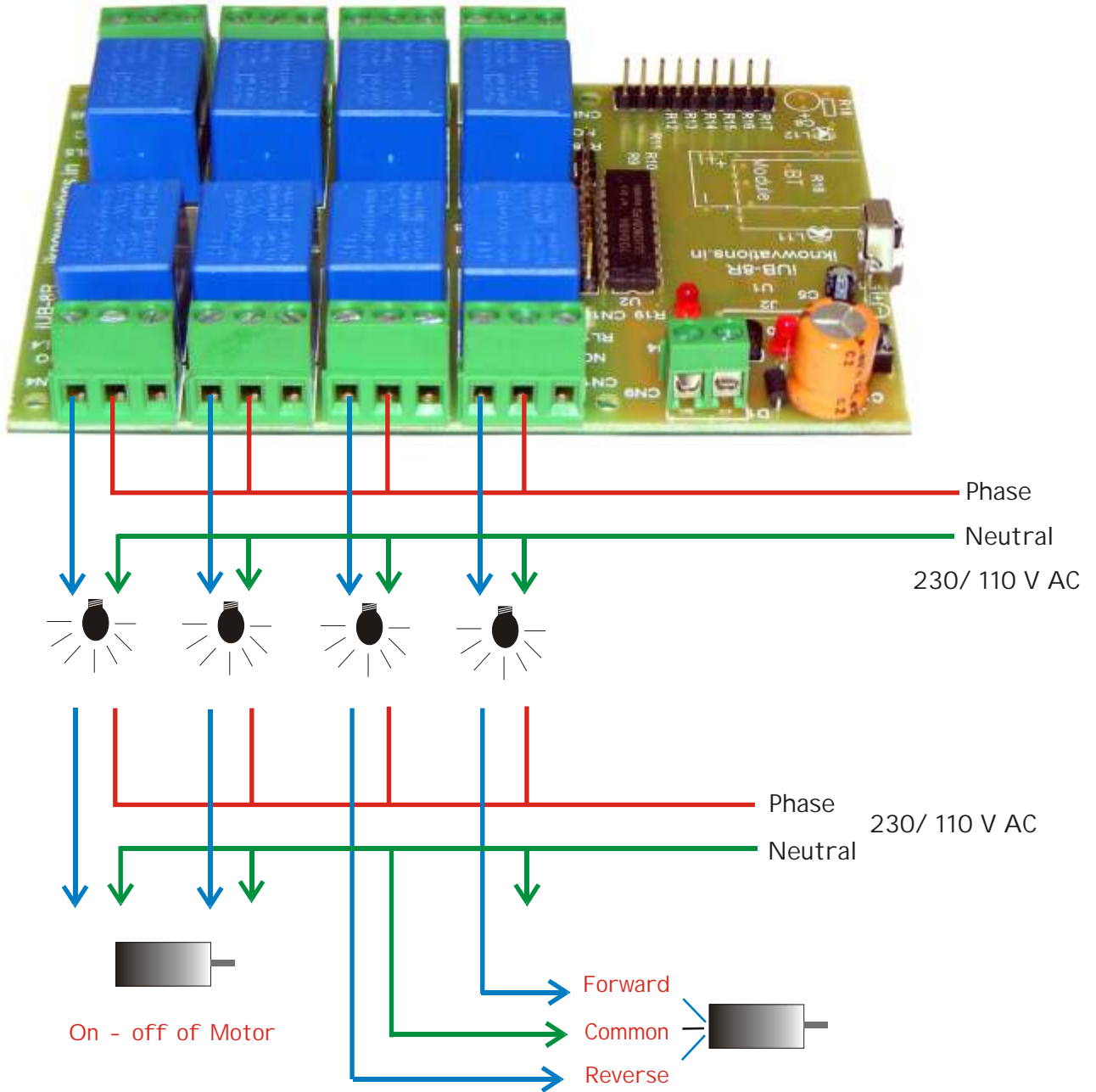
Different configuration ? Just let us know at support@iknowvations.in.

We will provide you solutions as per your requirements. After all our more than 20 years experience helps .

8 Ch I R Remote Control Relay Board- iUB-8R-I R

User manual

Connecting AC load to Relays -



Motor on/off & forward/reverse use momentary function

There are many more varied uses of our Infrared controlled relay boards. Send us your novel idea to us at info@iknowvations.in & you can have a chance to win a free Infrared controlled relay card.

8 Ch I R Remote Control Relay Board- iUB-8R-IR

User manual

If you have any questions, want any assistance, want us to develop any special products for you just contact us at support@iknowvations.in.

We have other products also that might interest you like -



4 channel I R Remote control Board - AZ4CR-03

6 channel I R Remote control Board - AZ6CR-03



U452 is an USB based Relay Card having up to 16 I/O channels & 8 ADC channels. The ADC resolution is 8/10/12 bits user selectable.

R242 is an RS232 based Relay Card having up to 9 I/O channels & 4 ADC channels. The ADC resolution is 10 bits.



Experimental Board for TI LaunchPad.

6 digit 7 segment Multipurpose LED Counter



For more information visit - www.iknowvations.in



8 Ch I R Remote Control Relay Board- iUB-8R-I R User manual

Please read the following carefully before you use any products manufactured by I knowvations

Information in this document is provided solely in connection with I knowvations products. I knowvations reserve the right to make changes, corrections, modifications or improvements, to this document, and the products and services described herein at anytime, without notice.

All I knowvations products are sold pursuant to I knowvations terms and conditions of sale.

Purchasers are solely responsible for the choice, selection and use of the I knowvations products and services described herein, and I knowvations assumes no liability whatsoever relating to the choice, selection or use of the I knowvations products and services described herein.

No license, express or implied, by estoppel or otherwise, to any intellectual property rights is granted under this document. If any part of this document refers to any third party products or services it shall not be deemed a license grant by I knowvations for the use of such third party products or services, or any intellectual property contained therein or considered as a warranty covering the use in any manner whatsoever of such third party products or services or any intellectual property contained therein.

UNLESS OTHERWISE SET FORTH IN I KNOWVATIONS'S TERMS AND CONDITIONS OF SALE I KNOWVATIONS DISCLAIMS ANY EXPRESS OR IMPLIED WARRANTY WITH RESPECT TO THE USE AND/OR SALE OF I KNOWVATIONS PRODUCTS INCLUDING WITHOUT LIMITATION IMPLIED WARRANTIES OF MERCHANTABILITY, FITNESS FOR A PARTICULAR PURPOSE (AND THEIR EQUIVALENTS UNDER THE LAWS OF ANY JURISDICTION), OR INFRINGEMENT OF ANY PATENT, COPYRIGHT OR OTHER INTELLECTUAL PROPERTY RIGHT.

UNLESS EXPRESSLY APPROVED IN WRITING I KNOWVATIONS PRODUCTS ARE NOT RECOMMENDED, AUTHORIZED OR WARRANTED FOR USE IN MILITARY, AIR CRAFT, SPACE, LIFE SAVING, OR LIFE SUSTAINING APPLICATIONS, NOR IN PRODUCTS OR SYSTEMS WHERE FAILURE OR MALFUNCTION MAY RESULT IN PERSONAL INJURY, DEATH, OR SEVERE PROPERTY OR ENVIRONMENTAL DAMAGE.

Resale of I KNOWVATIONS products with provisions different from the statements and/or technical features set forth in this document shall immediately void any warranty granted by I knowvations for the I knowvations product or service described herein and shall not create or extend in any manner whatsoever, any liability of I knowvations.

www.iknowvations.in

Manufactured by -

I knowvations
Rajivnagar, Vidyanagar
Hubli - 580031
India.

Contacts -

Web - iknowvations.in
Sales - sales@iknowvations.in
Support - support@iknowvations.in
Information - info@iknowvations.in

Buy online at our Shopee -

<http://shopee.iknowvations.in>