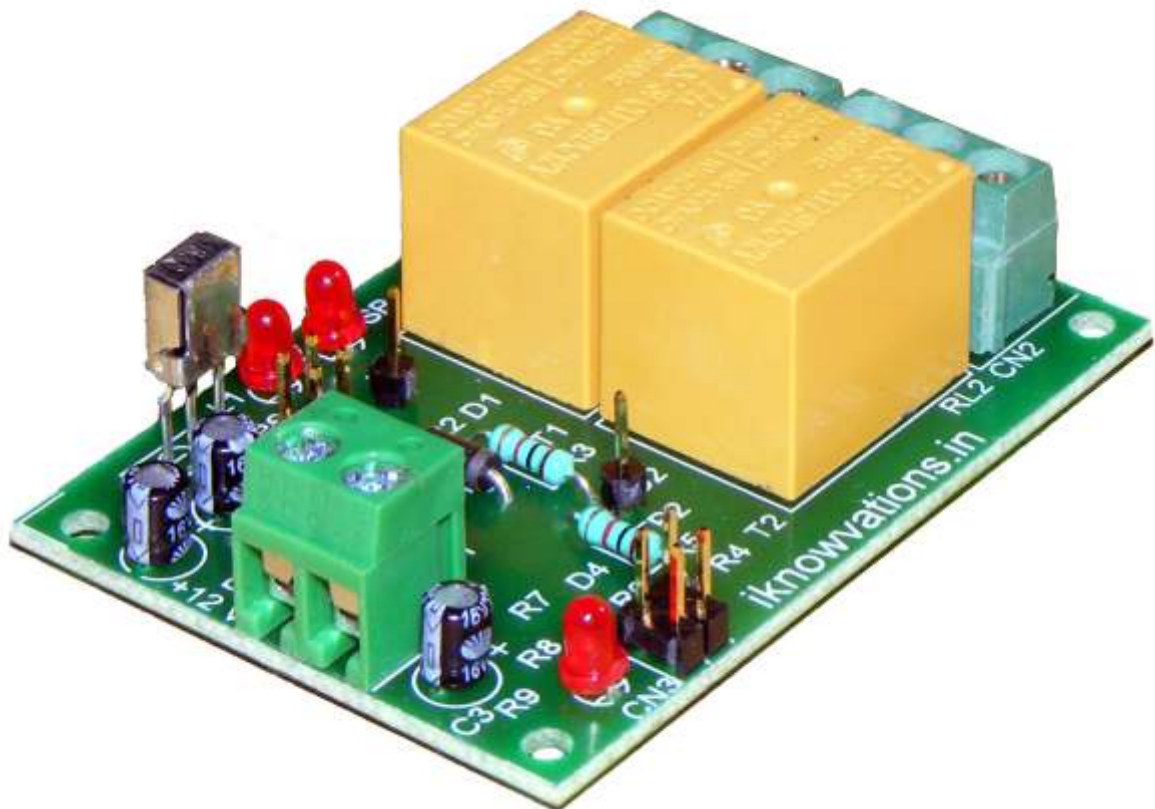
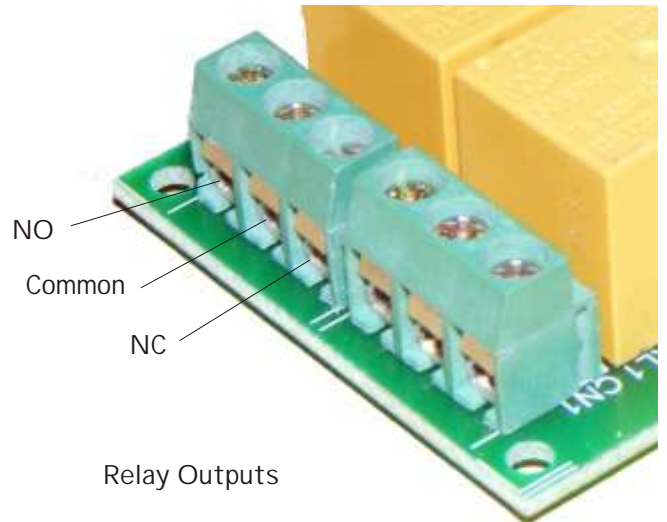
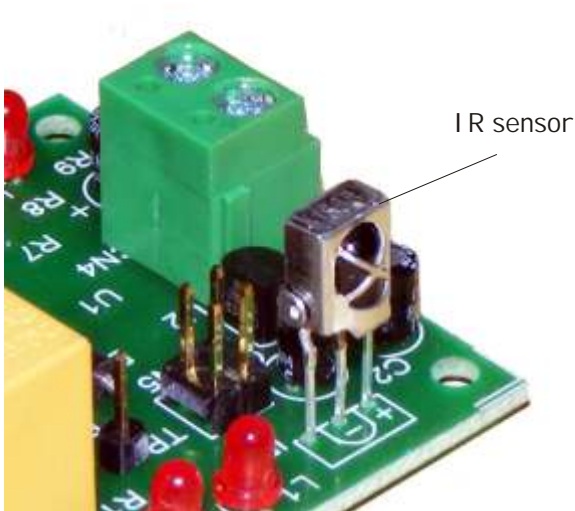
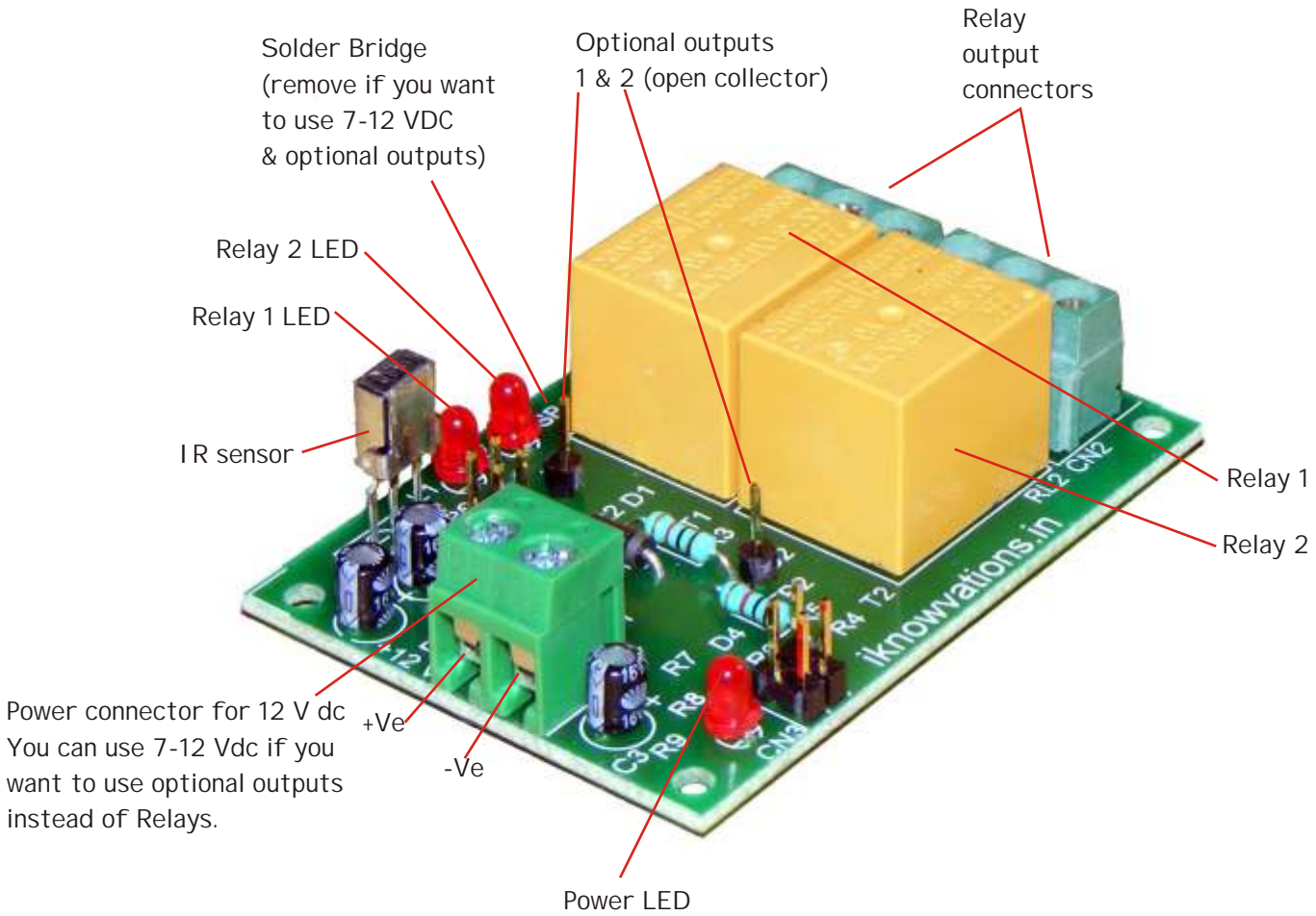


User Manual



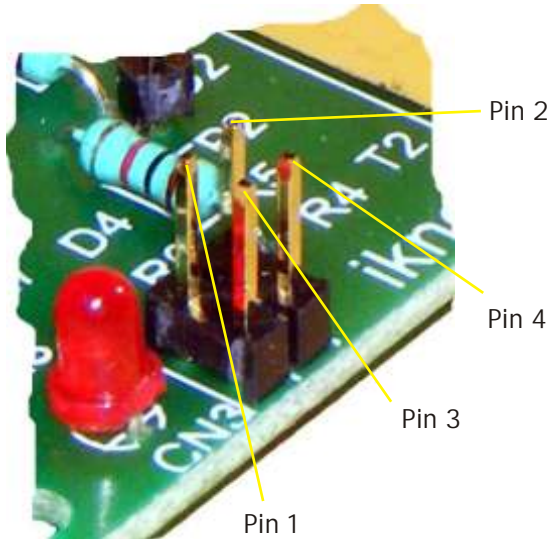
I R-2R detail



2 Channel I R Remote Control Relay Board - iR-2R

User manual

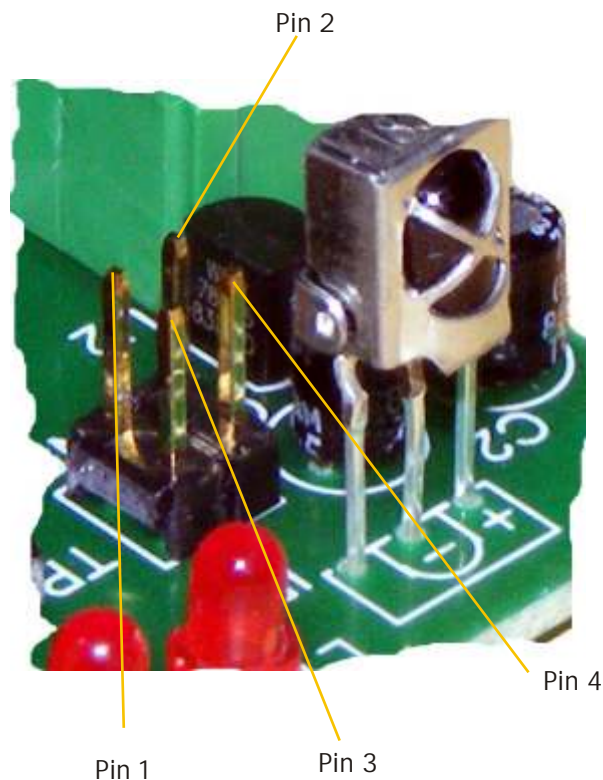
Connector 3 - CN3 (to operate Relays manually) details.



Connect Pin 1 & Pin 3 to manually operate Relay 1.

Connect Pin 2 & Pin 4 to manually operate Relay 2.

Connector 5 - CN5 (to operate Relays in Momentary mode) details.



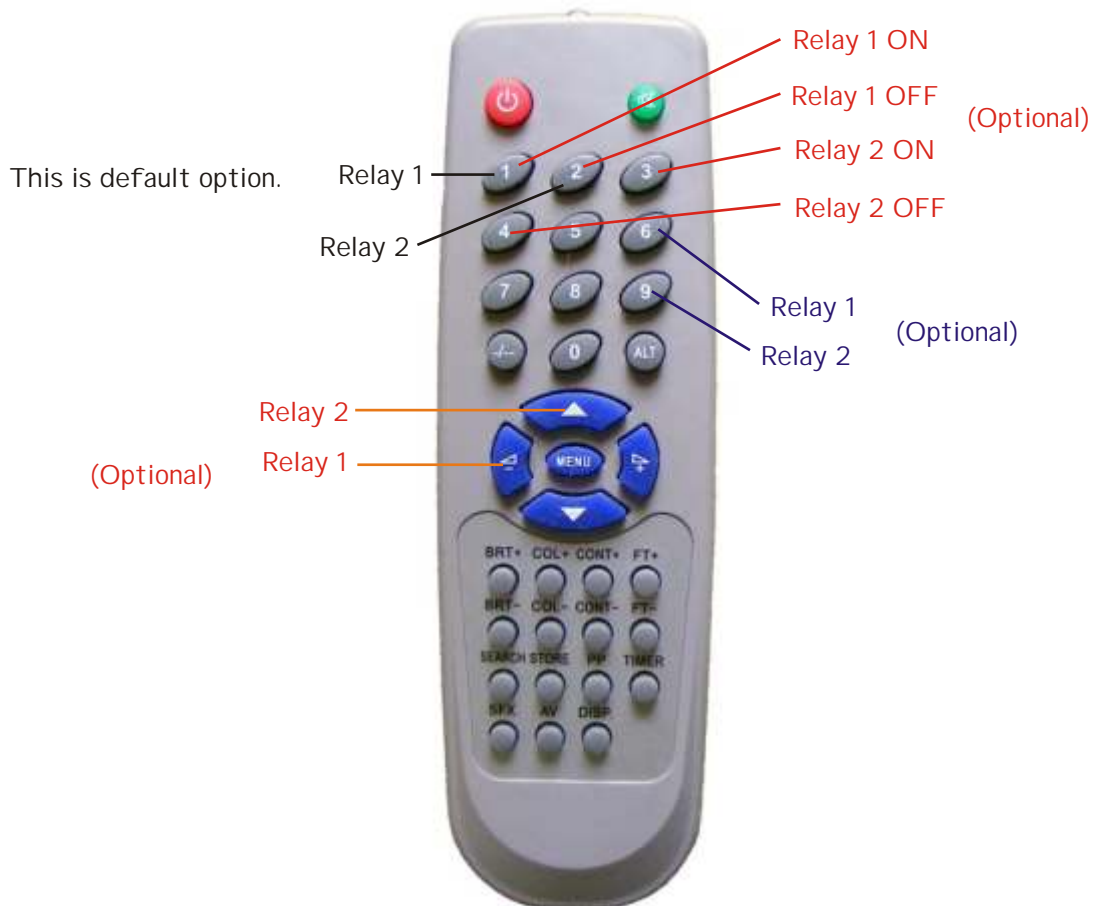
Connect Pin 1 & Pin 3 to operate Relay 1 in Momentary mode.

Connect Pin 2 & Pin 4 to operate Relay 2 in Momentary mode.

Default mode is Toggle mode where Relay will be ON when relative button is pressed on Handset. Relay will be OFF if button is pressed again.

In Momentary mode, the Relay will be ON till relative button is kept pressed.

Remote handset detail



Other options are used when you want to operate two or more 2 channel boards in same room and you want to operate them with the same remote at a time. **You have to specify at the time of placing order if you want to have more than one option.**

Please note that Remote handset design may change from time to time but functions will remain same.



2 Channel I R Remote Control Relay Board - iR-2R

User manual

Specifications -

- Transmitter - I R Transmitter handset is common for all the receiver kits.
Based on RC5 Philips coding.
Requires 2 AAA battery.
- Receiver - Outputs - 2 relays for iR-2R
Input supply - 12 V DC to operate Relays
7-12 V DC if you want to use additional
open collector outputs.
Relay contact rating - 5 amp at 230 V AC.

Features -

- Based on latest microcontroller.
- Two relay outputs for different kind of requirement.
- Potentially free NO & NC contact outputs.
- Momentary & Toggle mode selectable by DIP switch.
- All On & All Off facility.
- Long range
- Easy to add remote control facility to many projects
- Visual LED indication for each Relay.
- Visual LED indication for power.
- Small & Compact size.

Can be used for -

- Switching lights & fans on & off at homes, offices, shops, hotels etc. by I R remote.
- Switching motors on & off.
- Converting machines & equipments to be operated by I R remote.
- Replacing switches with I R remote.

Want something different ? More outputs ? Special requirements ?

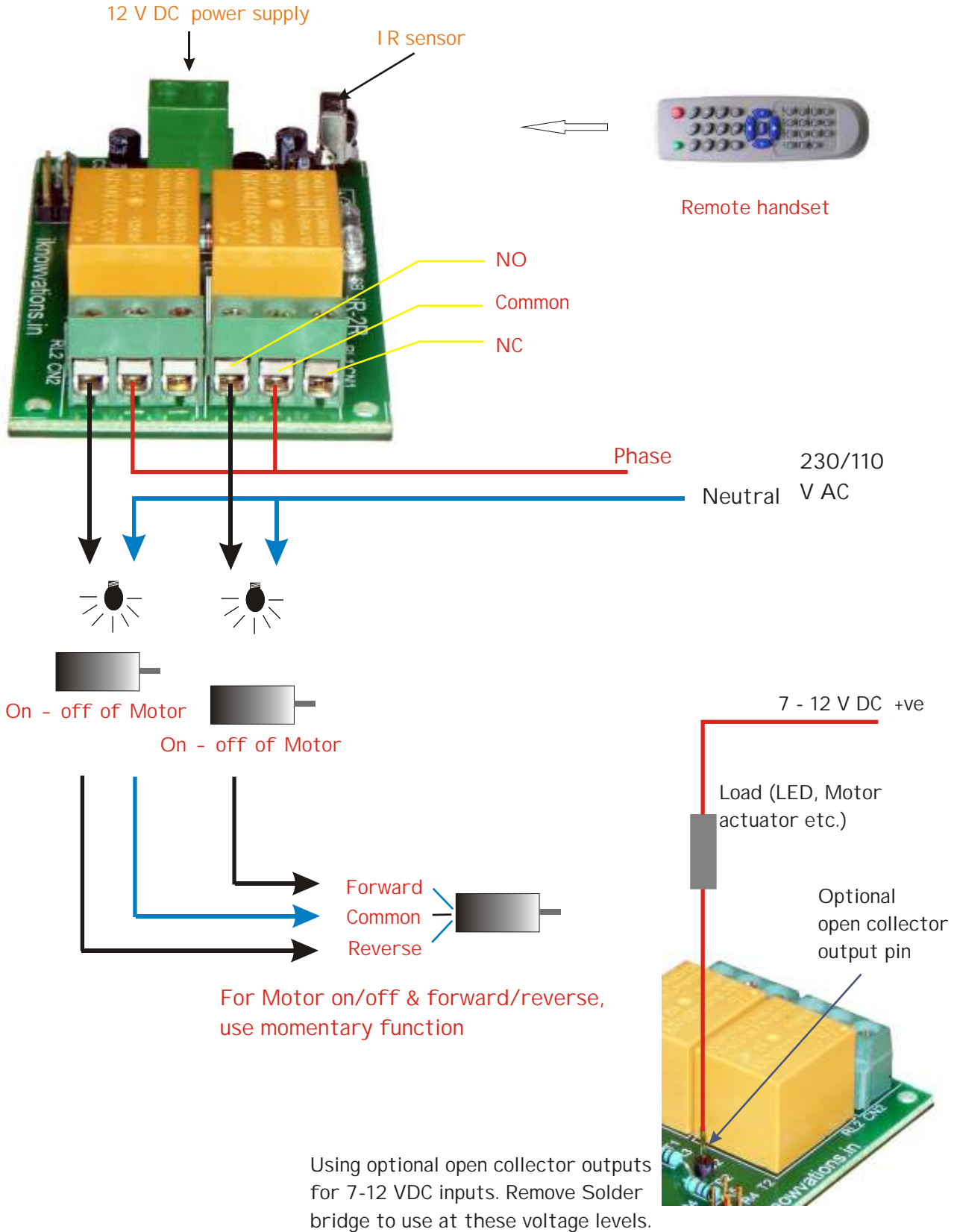
Different configuration ? Just let us know at support@iknowvations.in.

We will provide you solutions as per your requirements. After all our more than 20 years experience helps .

2 Channel IR Remote Control Relay Board - iR-2R

User manual

Making of Remote light switches using IR control relay boards iR-2R

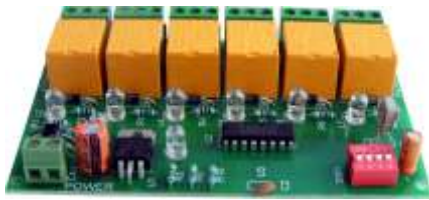


2 Channel I R Remote Control Relay Board - iR-2R

User manual

If you have any questions, want any assistance, want us to develop any special products for you just contact us at support@iknowvations.in.

We have other products also that might interest you like -



12 channel I R Remote control Board - iR-12C

6 channel I R Remote control Board - AZ6CR-03



U452 is an USB based Relay Card having 4 relays, up to 16 I/O channels & 8 ADC channels. The ADC resolution is 8/10/12 bits user selectable.

R242 is an RS232 based Relay Card having 4 relays, up to 9 I/O channels & 4 ADC channels. The ADC resolution is 10 bits.



Ethernet based DAQ & I/O card.

6 digit 7 segment Multipurpose LED Counter



For more information visit - www.iknowvations.in



2 Channel I R Remote Control Relay Board - iR-2R

User manual

Please Read Carefully

Information in this document is provided solely in connection with I knowvations products. I knowvations reserve the right to make changes, corrections, modifications or improvements, to this document, and the products and services described herein at anytime, without notice.

All I knowvations products are sold pursuant to I knowvations terms and conditions of sale.

Purchasers are solely responsible for the choice, selection and use of the I knowvations products and services described herein, and I knowvations assumes no liability whatsoever relating to the choice, selection or use of the I knowvations products and services described herein.

No license, express or implied, by estoppel or otherwise, to any intellectual property rights is granted under this document. If any part of this document refers to any third party products or services it shall not be deemed a license grant by I knowvations for the use of such third party products or services, or any intellectual property contained therein or considered as a warranty covering the use in any manner whatsoever of such third party products or services or any intellectual property contained therein.

UNLESS OTHERWISE SET FORTH IN I KNOWVATIONS'S TERMS AND CONDITIONS OF SALE I KNOWVATIONS DISCLAIMS ANY EXPRESS OR IMPLIED WARRANTY WITH RESPECT TO THE USE AND/OR SALE OF I KNOWVATIONS PRODUCTS INCLUDING WITHOUT LIMITATION IMPLIED WARRANTIES OF MERCHANTABILITY, FITNESS FOR A PARTICULAR PURPOSE (AND THEIR EQUIVALENTS UNDER THE LAWS OF ANY JURISDICTION), OR INFRINGEMENT OF ANY PATENT, COPYRIGHT OR OTHER INTELLECTUAL PROPERTY RIGHT.

UNLESS EXPRESSLY APPROVED IN WRITING I KNOWVATIONS PRODUCTS ARE NOT RECOMMENDED, AUTHORIZED OR WARRANTED FOR USE IN MILITARY, AIR CRAFT, SPACE, LIFE SAVING, OR LIFE SUSTAINING APPLICATIONS, NOR IN PRODUCTS OR SYSTEMS WHERE FAILURE OR MALFUNCTION MAY RESULT IN PERSONAL INJURY, DEATH, OR SEVERE PROPERTY OR ENVIRONMENTAL DAMAGE.

Resale of I KNOWVATIONS products with provisions different from the statements and/or technical features set forth in this document shall immediately void any warranty granted by I knowvations for the I knowvations product or service described herein and shall not create or extend in any manner whatsoever, any liability of I knowvations.

www.iknowvations.in

Manufactured by -

I knowvations
Rajivnagar, Vidyanagar
Hubli - 580031
India.

Contacts -

Web - iknowvations.in
Sales - sales@iknowvations.in
Support - support@iknowvations.in
Information - info@iknowvations.in

Buy online at our Shoppee -

[Http://shopee.iknowvations.in](http://shopee.iknowvations.in)