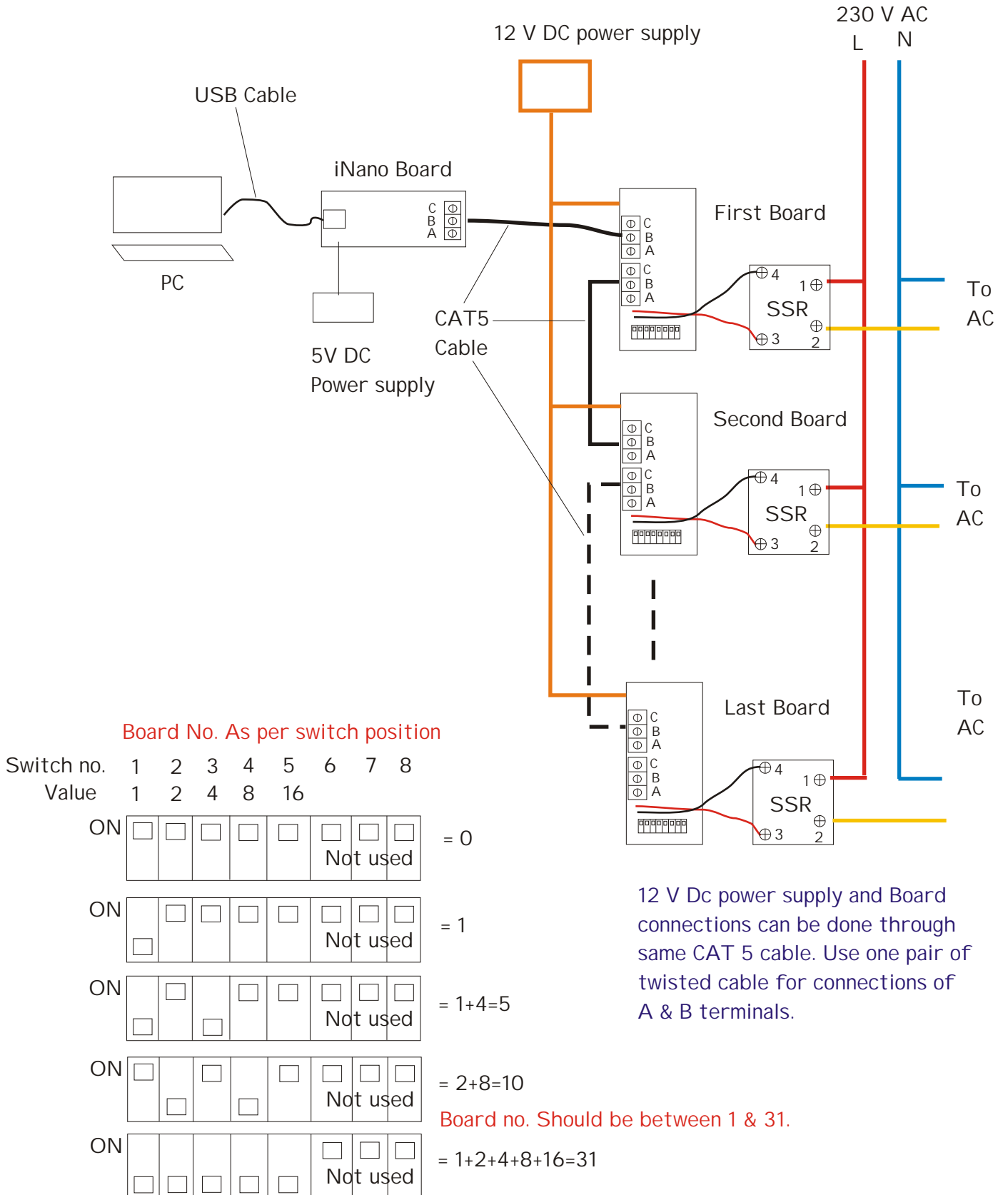


Plot No.95/B-2, Nr. Rajivnagar Last Bus Stop, Rajivnagar, Vidyanagar, Hubli-580021.Karnataka,India  
 Phone : +91 8904243639 Web: www.iknowvations.in Email : info@iknowvations.in

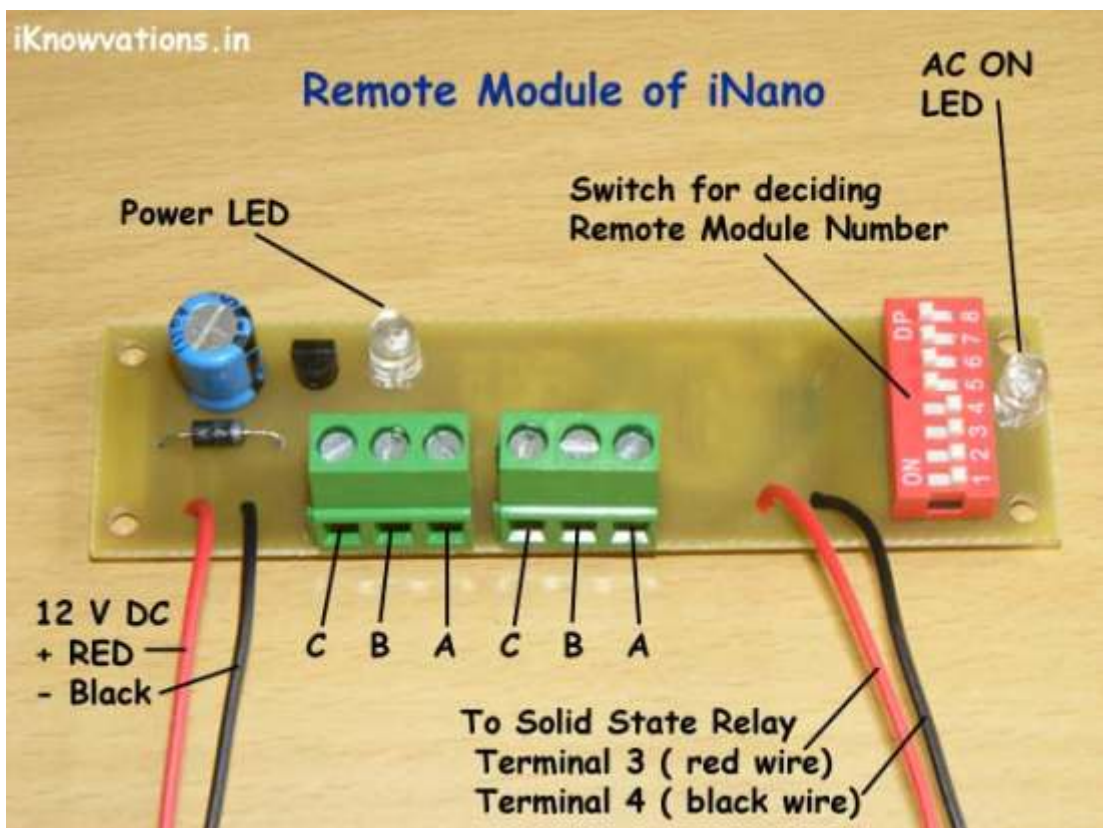
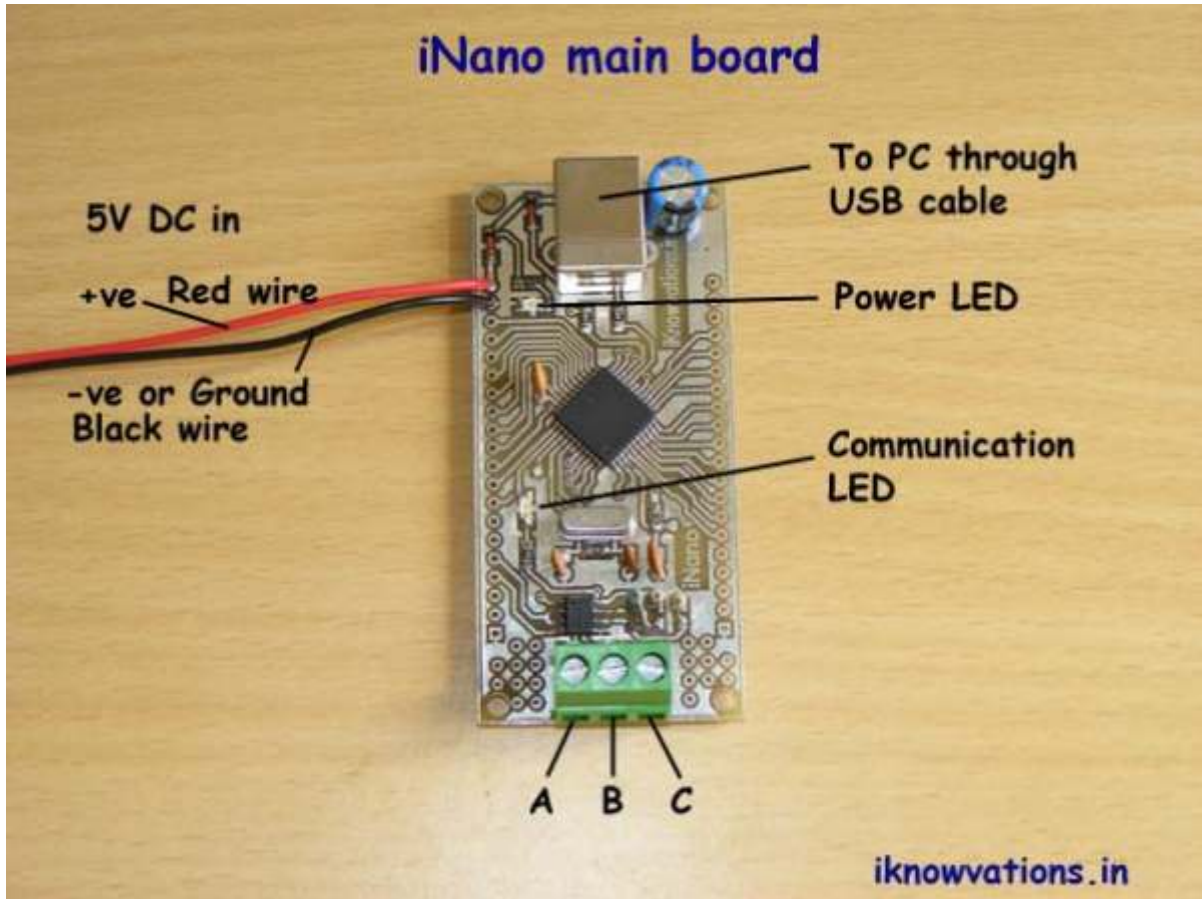
iNano - USB Power control





Plot No.95/B-2, Nr. Rajivnagar Last Bus Stop, Rajivnagar, Vidyanagar, Hubli-580021.Karnataka,India  
Phone : +91 8904243639 Web: www.iknowvations.in Email : info@iknowvations.in

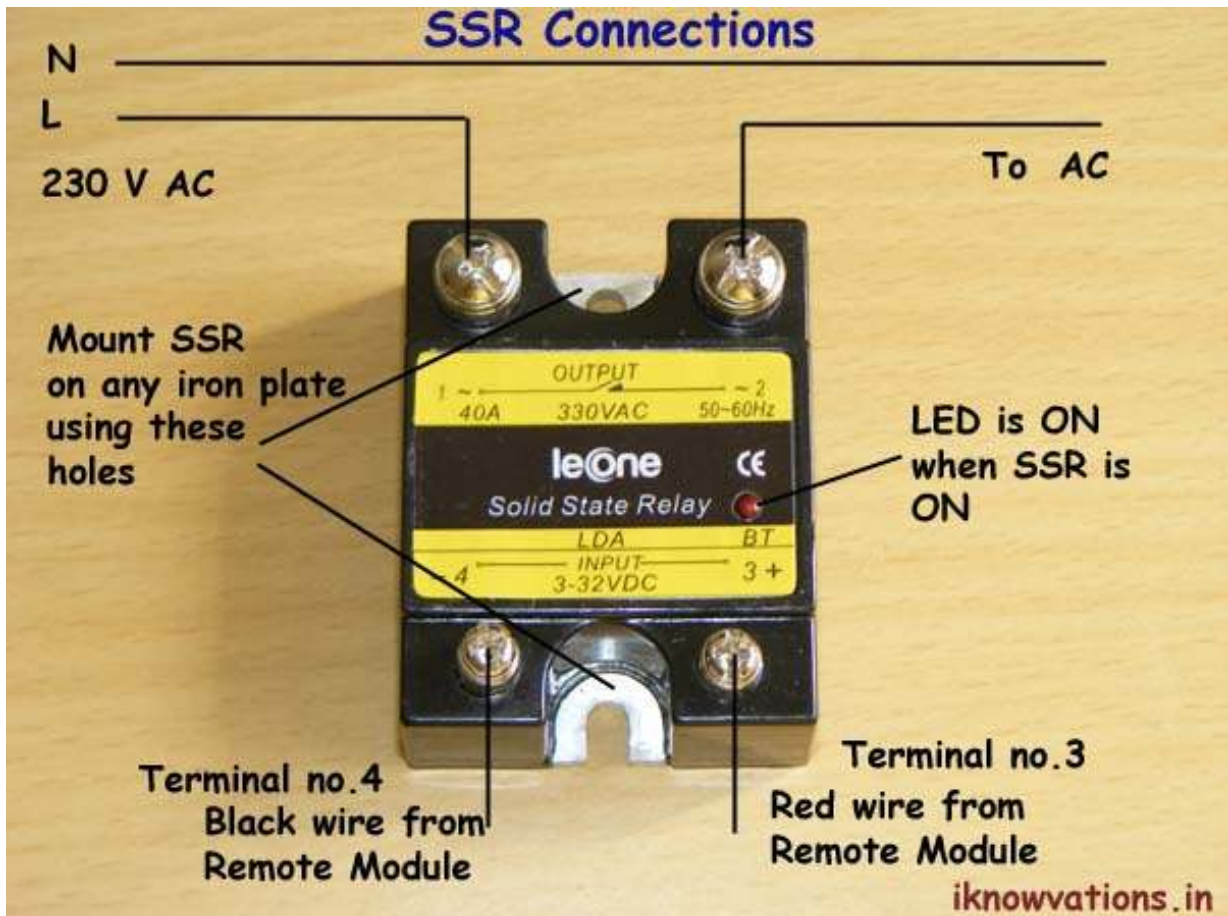
iNano - USB Power control





Plot No.95/B-2, Nr. Rajivnagar Last Bus Stop, Rajivnagar, Vidyanagar, Hubli-580021.Karnataka,India  
 Phone : +91 8904243639 Web: www.iknowvations.in Email : info@iknowvations.in

### iNano - USB Power control



Procedure for setting up the network.

1. Connect the wiring as shown on 1st page. Connect terminal A of iNano to 1st remote board A terminal, then to 2nd, then 3rd..... To last. Same way join terminal B & terminal C.
2. Connect 5V DC power supply observing proper polarity, to iNano. Do not power up yet.
3. Connect 12 V DC to all boards.
4. Please note that the remote board having RED LED should be the last board.
5. Verify again all the connections.
6. Power on 5 V DC to iNano. Plug in USB cable to PC & iNano. The computer will ask for setup file - point it to the folder having iNano.inf file. This is for the first time you connect iNano to PC. Once it is set up, PC will automatically allocate COM PORT, whenever iNano is connected to it.
7. Computer will allocate a COM PORT number to iNano. You can check it through Device Manager of Control Panel. Now through Hyper Terminal or any other terminal program you can communicate with iNano.
8. Once it is ready, power up 12 V dc supply to remote boards.
9. Open up Hyper Terminal at 9600 bauds ,8 bits, No parity , No handshake.
10. Type -HELP ( all in CAPS). It will type all commands for the board.

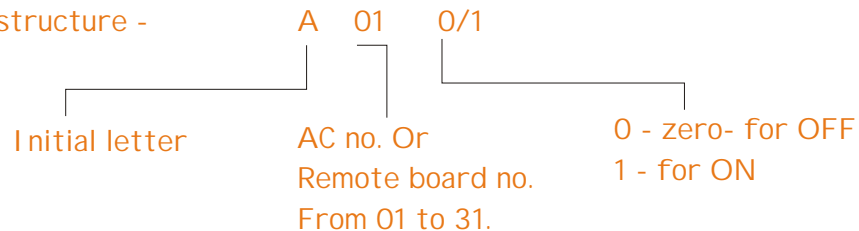


Plot No.95/B-2, Nr. Rajivnagar Last Bus Stop, Rajivnagar, Vidyanagar, Hubli-580021.Karnataka,India  
 Phone : +91 8904243639 Web: www.iknowvations.in Email : info@iknowvations.in

### iNano - USB Power control

List of commands ( all 4 letters) -

1. HELP - prints out all commands.
2. BORD - prints the name of connected board.
3. VERS - prints Firmware version of Board.
4. ALLO - (it is ALL zero) - Switches OFF all ACs
5. ALL1 - Switches ON all Acs
6. A010 - Switches OFF AC no.1.
7. A011 - Switches ON AC no.1.
8. Command structure -



11. Type appropriate commands followed by pressing Enter button.
12. For example A011 - press enter - the board will respond with message " AC1 is switched ON" and send command to Remote board no.1. The number of Remote board will depend on Switch module position. The Remote Board no.1 LED will be ON to show that it has received the command & connected Solid State Relay (SSR) will be ON .
13. First check the SSRs without connecting any Live power . Once it is ok , connect SSRs with small Zero Watt or 40 Watt Bulbs and then with AC.
14. If you have any trouble contact Support Team at support@iknowvations.in.